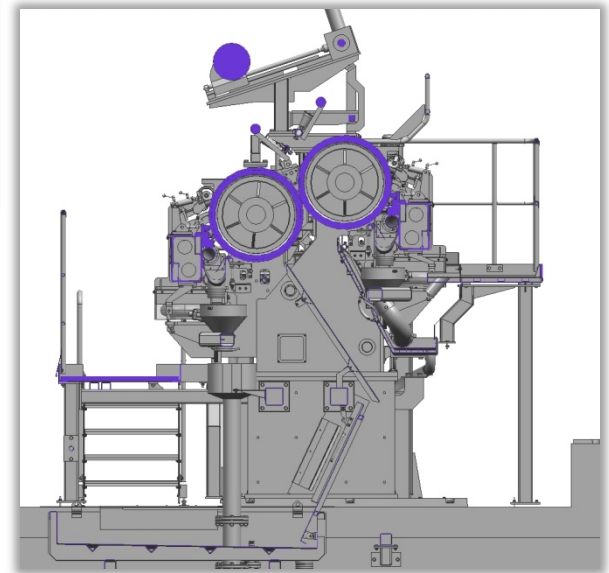


Innovative PM components Film application unit PAMA *film*



- Writing and printing paper
- Drug paper
- Speciality paper



Benchmarking

Advantages of PAMA component



- Compact and robust design
- User-friendly, easy and quick access for cleaning purpose
- Patented nozzle application system
- Process stability, high availability