

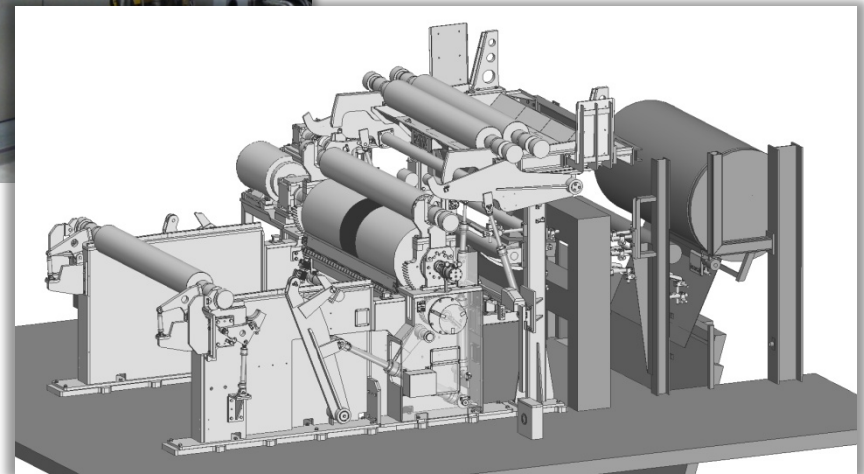
Innovative PM components

Reeler PAMA reel



Pope Reeler

- Testliner
- Fluting
- Book printing paper



Benchmarking

Advantages of PAMA component



- Approved and robust design
- Exact synchronous run of the auxiliary arms by use of toothed gear segment with cross shaft
- Low-maintenance design
- Change of lubrication of the drum bearing from grease to oil and vice versa with minimal expense
- Adaptation to customer-specific requirements
- Complete package including electric, hydraulic and pneumatic control from one source