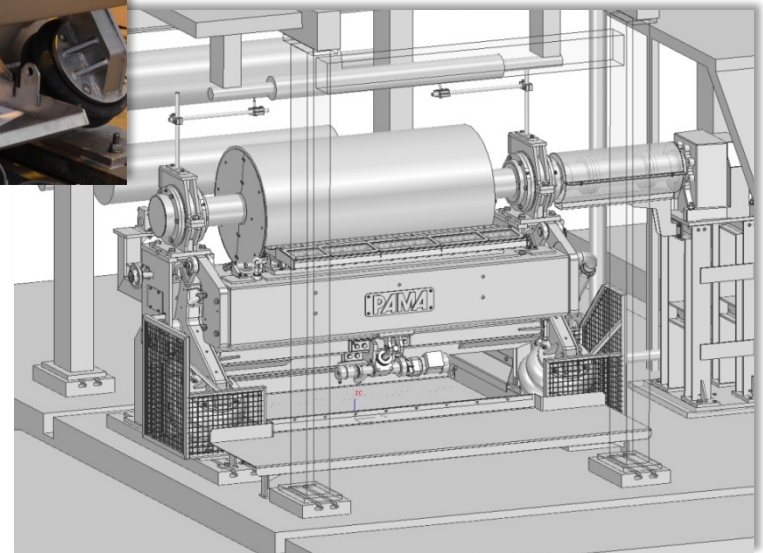


Innovative PM components

Coating unit PAMA *blade*



Coater



- Non-woven wallpaper

Benchmarking

Advantages of PAMA component



- Short Dwell concept für bent blade operation
- Adjustment of variable web widths
- Uncoated edges
- Compact design
- User-friendly, easy and quick access for cleaning purpose
- Patented nozzle application system
- Process stability, high availability