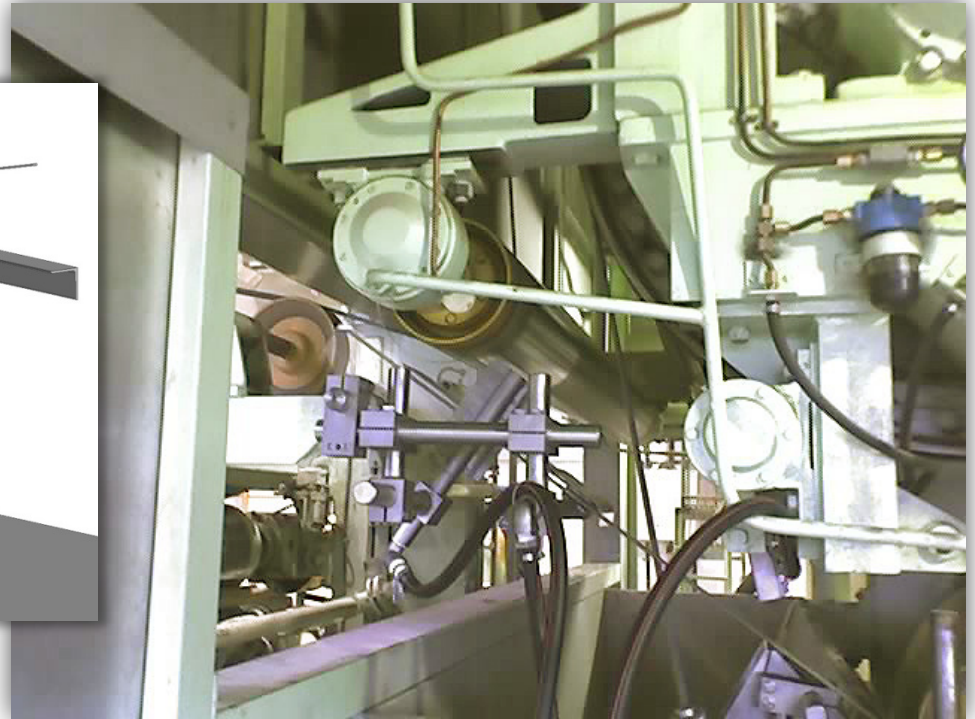
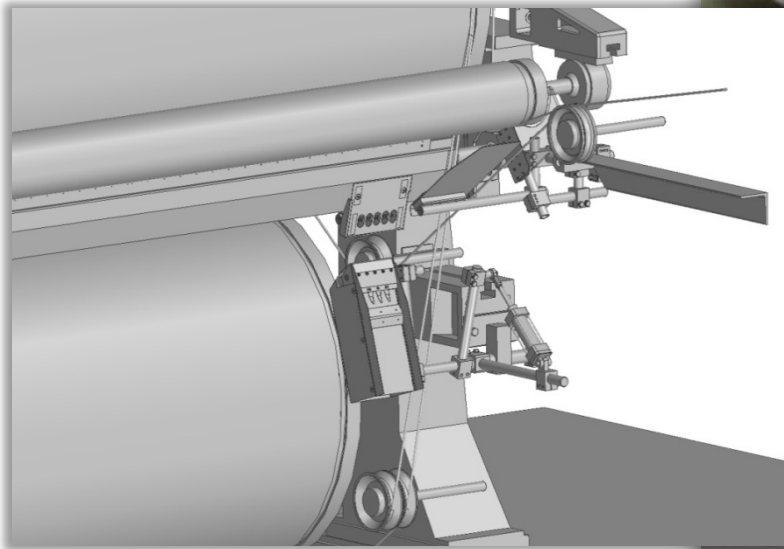


Innovative PM components

Paper threading systems *PAMA guide*

- Elegant solutions
- Advanced rope guides
- Rope-free threading systems supported by air resp. vacuum
- Integrable into the whole machine



Benchmarking

Advantages of PAMA component



- Proven and robust design
- Individual adaption by modular design
- Maintenance-low design
- Modification of existing threading system using existing parts
- Adaption to customer-specific requirements – **customized technology**
- Complete package including electric and pneumatic control from one source