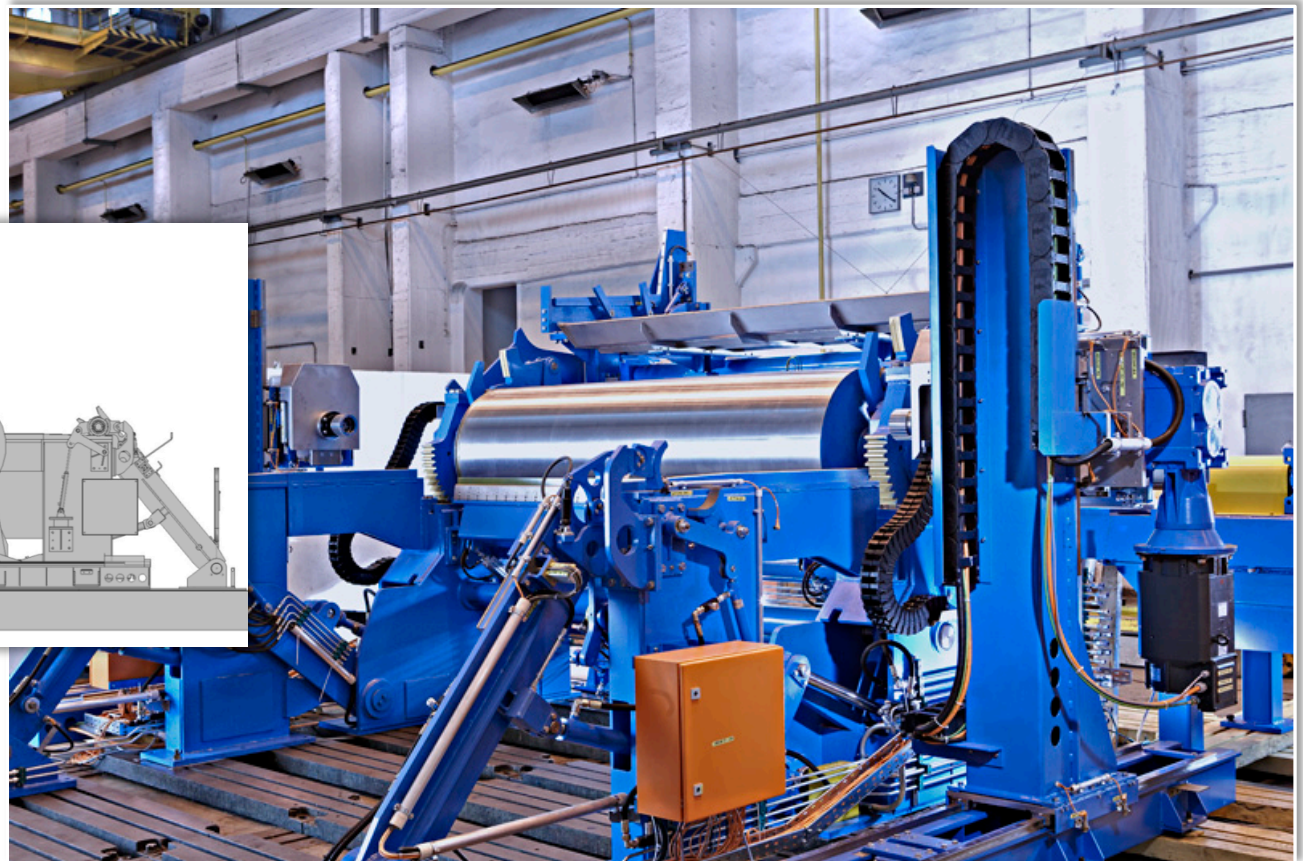
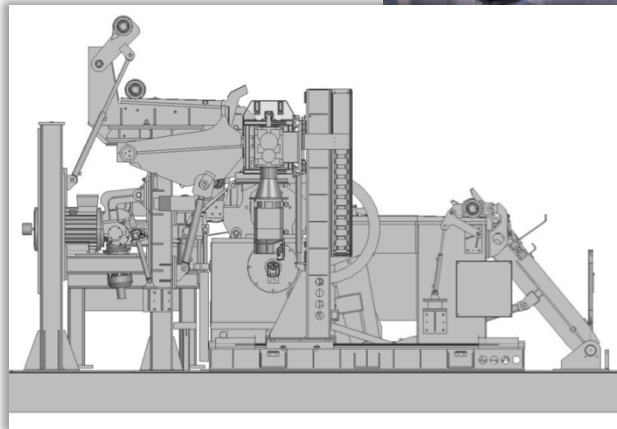


# Innovative PM components

## Combination Reeler/winder PAMA reel



- Non-woven

# Benchmarking

## Advantages of PAMA component



- Wide range of application by combination of operating modes
- Approved and robust design
- Exact synchronous run of the auxiliary arms by use of toothed gear segment with cross shaft
- Low-maintenance design
- Adaptation to customer-specific requirements
- Complete package including electric, hydraulic and pneumatic control from one source